

4Leds 8W RGBWYU 6IN1 Indoor LED Par

User Manual

RG-P36IB8N-Kg4A

RG-P06



Guangzhou Geliang Lighting Technology Co.,Ltd

Tel/Fax: +8620-62903194 Addr: No.68 , huagang da dao , Xinhua street , Huadu district , Guangzhou , China

Director

1. General Information	3
2. Packing List.....	4
3. Product Features.....	4
4. Schematic Diagram	4
5. Specifications	5
6. Installation Method	5
6.1 Installation Steps	5
6.2 Fixture Linking	5
6.3 AC Power	6
7. Safety Instructions	6
8. Operation Instruction	6
9. Maintenance and cleaning	6
10. Control Board.....	8
10.1 Addr	10
10.2 Manual Mode	10
10.3 Automatic Mode.....	10
10.4 Sound Active Mode	10
10.5 DMX Mode.....	10
11. DMX Channel	11
12. Amendment Log	11
13. Important Notice	11

Guangzhou Geliang Lighting Technology Co.,Ltd

Tel/Fax: +8620-62903194 Addr: No.68 , huagang da dao , Xinhua street , Huadu district , Guangzhou , China

1. General Information

About Unpacking:

Thank you for purchasing the fixture. Every fixture has been thoroughly tested and has been shipped in perfect operating condition. Carefully check the shipping carton for damage that may have occurred during shipping. If the carton appears to be damaged, carefully inspect your unit for damage and be sure all accessories necessary to operate the unit have arrived intact. In the event damage has been found or parts are missing, please contact our customer support team for further instructions. Please do not return this unit to your dealer without first contacting customer support at the number listed below

Customer Support:

We provides a customer support line, to provide set up help and to answer any question should you encounter problems during your set up or initial operation. You may also visit us on the web at www.rigelighting.com for any comments or suggestions. For service related issue please contact us.

Support Telephone:	+8620-62903200
Support Email:	support@rigelighting.com (QQ、 MSN as same)
Website:	http://www.rigelighting.com
WAP:	http://www.rige.mobi
Suggestions and Complaints:	complaint@rigelighting.com
Working Time:	(Beijing Time)
Monday to Friday	08:00~12:00 13:30~17:30 18:30~20:30
Saturday	09:00~12:00 13:30~17:00
	Note: all the rest of China's holidays!

Note! There are no user-serviceable parts inside the machine. Do not attempt any kind of repair; doing so will cause your manufacturer's warranty.

Important: Damage caused by neglect of the instructions in the user manual caused no warranty.

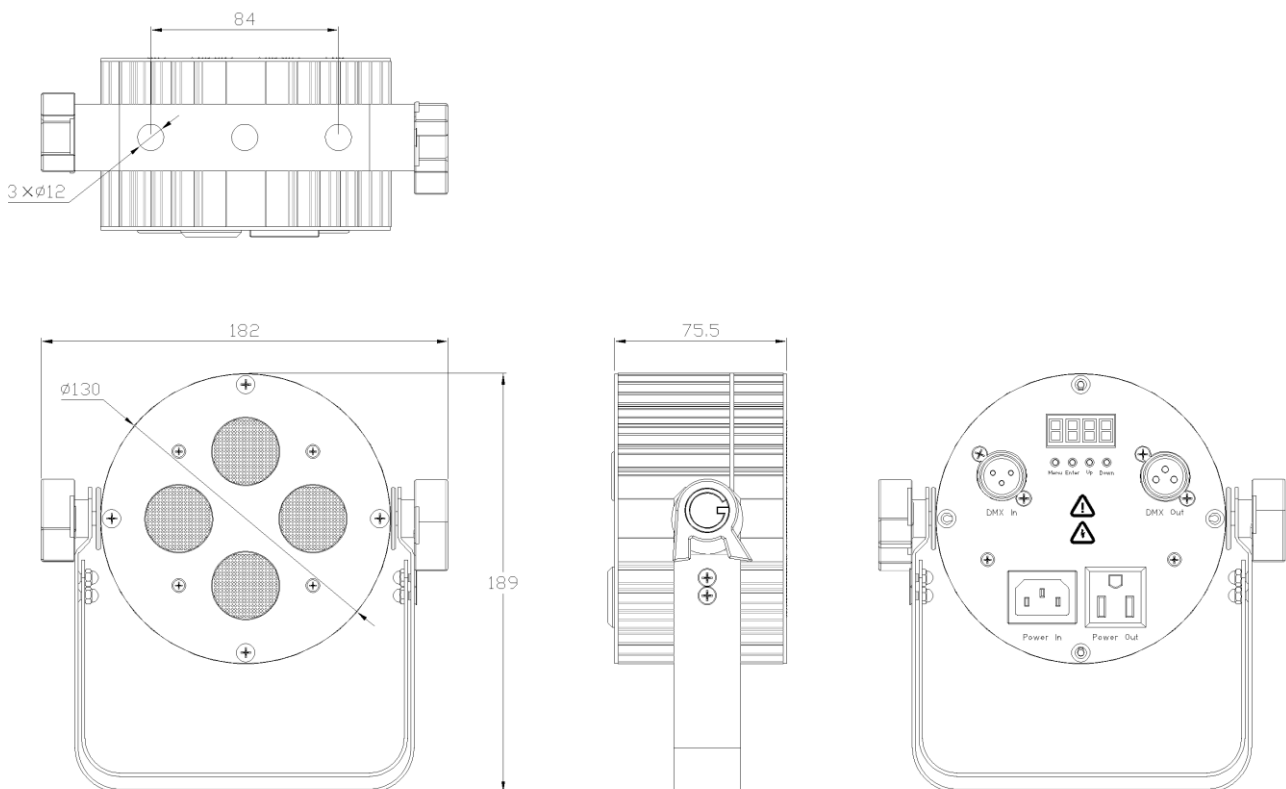
2. Packing List

Lighting 1 pcs
User Manual 1 pcs
Power Cable 1 pcs
Signal Cable 1pcs

3. Product Features

- Precisely control of the effect of each LED
- Good thermal performance
- Super brightness
- Powerful and easy to operate
- Rugged light body design fully meets the environmental requirements of entertainment.

4. Schematic Diagram



5. Specifications

Item NO.	RG-P36IB8N-Kg4A
LED Qty	RGBWYU 6IN1 LED, 8W/pcs total4pcs
Rated Power	26W
Input Voltage	AC 100-240V 50/60Hz
Working life	50000Hrs
Gray Level	256
Control mode	Auto-run-mode、 DMX 512、 sound active mode
DMX Channels	6/9CH
Beam Angle	45°
Dimensions	183x130x76mm
Packing size	210x210x140mm (one pcs carton packing) 435x225x450 (six pcs carton packing) 435x435x300mm(eight pcs carton packing)
Net weight	1.25Kg
Gross Weight	1.5Kg (one pcs carton packing) 11Kg (six pcs carton packing) 15Kg(eight pcs carton packing)
main material	Aluminum
Body color	Black
Ambient temperature	-20℃~+40℃
Environment	Use indoor

6. Installation Method

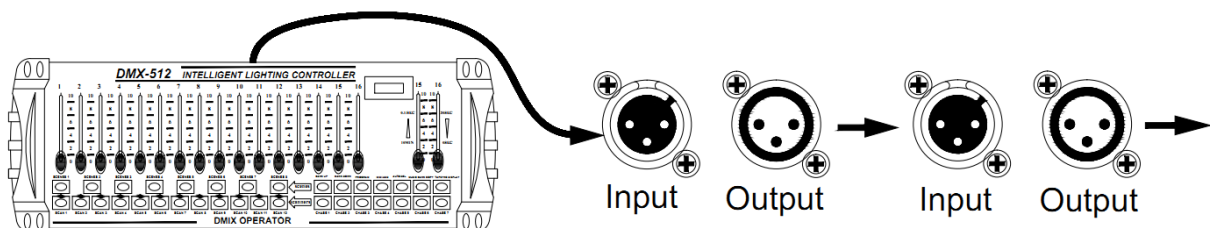
6.1 Installation Steps

- Please hand this light into the suitable place with suitable angel (if operate the light in external place, please remember to get some water-proof cover to protect them.).
- To connect the signal cable, plug one side into IN socket in the back of light and plug another side into OUT signal connector in the DMX 512 board(signal input: 1=>Ground, 2=>Data, 3=>data+).
- To connect the cable and put into power, them the light stays in the status to receive the operation signal like: Music, Automatic, and DMX512ect. Take note: Please out of the power line if you will not operate it for a certain time.

6.2 Fixture Linking

To run your light shows of one or more fixtures using DMX-512 controller or to run synchronized shows on two or more fixtures in master/slave operating mode, you need DMX cables to link the units from DMX IN to DMX OUT.

Notice: the length of signal cables should be within 100meters, to prevent the signal interference by other appliances because of the long signal cables.



6.3AC Power

The fixture is designed to work on 100-240V 50/60Hz. Before applying power to a unit, check that the source voltage matches the unit's requirement.

7. Safety Instructions

We've put the device in advance transferred intact state. In order to maintain this condition and ensure safe operation, the user absolute requirement to comply with the safety instructions and warnings written in terms of manual species.

Important Notice: Due to neglect this manual caused damage within the scope of our responsibility. Dealer is not responsible for failures and problems arising therefrom.

- If the device has been exposed to temperature changes due to environmental changes, do not switch it on immediately. The arising condensation could damage the device. Leave the device switched off until it has reached room temperature. This device falls under protection-class I. Therefore, it is essential that the device be earthed.
- The electric connection must carry out by qualified person.
- The device shall only be used with rate voltage and frequency
- Make sure the power cord is never crimped or damaged by sharp edges .if this would be the case, replacement of the cable must be done by an authorized dealer.
- Always disconnect from the mains , when the device is not in use or before cleaning it .only handle the power cord by the plug .Never pull out the plug by tugging the power cord
- During initial start-up some smoke or smell may arise .this is a normal process and does not necessarily mean that the device is defective, it should decrease gradually.
- If the external flexible cable or cord of these luminaries is damaged, it shall be replaced immediately.

8. Operation Instruction

- The moving head is an LED wash light for onsite decoration purpose
- Don't turn on the fixture if it's been through severe temperature difference like after transportation because it might damage the light due to the environment changes .So make sure to operate the fixture until it is in normal temperature.
- This light should be keep away from strong shaking during any transportation or movement.
- Don't pull up the light by only the head, or it might cause damages to the mechanical parts.
- Don't expose the fixture in overheat, moisture or environment with too much dust when installing it. And don't lay any power cables on the floor. Or it might cause electronic shock to the people.
- Make sure the installation place is in good safety condition before installing the fixture.
- Make sure to put the safety chain and check whether the screws are screwed properly when installing the fixture.
- Make sure the lenses are in good condition. It's recommended to replace the units if there are any damages or severe scratch
- Make sure the fixture is operated by qualified personnel who know the fixture before using.
- Keep the original packages if any second shipment is needed.
- Don't try to change the fixtures without any instruction by the manufacturer or the appointed repairing agencies.
- In is not in warranty range if there are any malfunction from not following the user manual to operate or any illegal operation ,like shock short circuit ,electronic shock ,lamp broke ,etc.

9. Maintenance and cleaning

The following points have to be considered during the inspection:

- All screws for installing the devices or parts of the device have to be tightly connected and must not be corroded.
- There must not be any deformations on the housing .color lenses, fixations and installation spots (ceiling, suspension, trussing).

Guangzhou Geliang Lighting Technology Co.,Ltd

Tel/Fax: +8620-62903194 Addr: No.68 , huagang da dao , Xinhua street , Huadu district , Guangzhou , China

- Mechanically moved parts must not show any traces of wearing and must not rotate with unbalances.
- The electric power supply cables must not show any damage, material fatigue or sediments.
- Further instructions depending on the installation spot and usage have to be adhering by a skilled installer and any safety problems have to be removed.

In order to make the lights in good condition and extend the life time .we suggest a regular cleaning to the lights

- Clean the inside and outside lens each week to avoid the weakness of the lights due to accumulation of dust.
- A detailed electric check by approved electrical engineer each three months, make sure that the circuit contacts are in good condition, prevent the poor contact of circuit from overheating.
- We recommend a frequent cleaning of the device please use a moist , lint-free cloth . Never use alcohol or solvents
- There are no serviceable parts inside the device please refer to the instructions under “installation instructions”.

Warranty

- The products have 1 year standard warranty, we promise to provide technical support for the whole life.
- Artificial damage is not in warranty.
- Factory repair. If the electronic components are damaged, please retain it then exchange it with manufacturer timely. Buyers bear the freight.
- Power cable, DMX cable and outer casing are not in warranty.
- Should you need any spare parts, please order genuine parts from your local dealer.

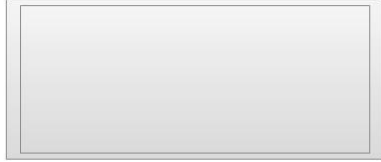


10. Control Board



Guangzhou Geliang Lighting Technology Co., Ltd

Tel/Fax: +8620-62903194 Addr: No.68 , huagang da dao , Xinhua street , Huadu district , Guangzhou , China



KEY instruction

- "MENU"/"Mode": return the upper menu
- "UP"/"+": add value or choose the previous value
- "DOWN"/"-": decrease value or choose the next value
- "ENTER": Enter the sub menu or saved the setting.

Addr	⇒	d.001	↙	d.512	DMX address setting +Master/Slave mode
dn--	⇒	dn.00	↙	dn.01	Mode selection
rL--	⇒	rL.00	↙	rL.12	Red dimmer
gL--	⇒	gL.00	↙	gL.12	Green dimmer
bL--	⇒	bL.00	↙	bL.12	Blue dimmer
EL--	⇒	EL.00	↙	EL.12	White dimmer
YL--	⇒	YL.00	↙	YL.12	Yellow dimmer
UL--	⇒	UL.00	↙	UL.12	Purple dimmer
FLAS	⇒	FL.00	↙	FL.12	Color strobe effect
FAdE	⇒	FA.00	↙	FA.12	Color fade effect
ASC-	⇒	AS.00	↙	AS.12	Color jump change effect
CS--	⇒	CS.00	↙	CS.12	Automatic Mode
SOUR	⇒	SA.00	↙	SA.30	Sound active (color jump change)
SOUF	⇒	SF.00	↙	SF.30	Sound active (color flash)

10.1 Addr

This function is used to set or adjust the fixture's starting DMX address. Every device controlled by DMX has to have a unique starting address. The addressing feature is what allows DMX to function properly. The DMX address of a fixture is what allows it to communicate with a controller properly. The DMX addressing also allows the fixture to ignore any DMX information coming from the controller that is not meant specifically for the fixture. Because each fixture is connected in a daisy-chain fashion it is imperative to assign a proper and unique starting DMX address to each and every fixture. The DMX address is non-destructive and will remain in the fixture's memory even when the power to the unit is switched off. Memory is backed-up and retain by an internal power source

10.2 Manual Mode

This function is used to set the mixed color by manual Including of rL--, gL--,bL--, EL--, YL-- UL--six parts.

10.3 Automatic Mode

This function including FLAS, FAdE, ASC-, three modes, which allows the internal programs to run in either stand-alone or master-slave mode.

10.4 Sound Active Mode

This function included two modes: SOUA SOUF In this mode, you can active the fixture via the sound with flash effect or color jump effect.

10.5 DMX Mode

In DMX mode the fixture will send DMX data to other fixtures connect via the DMX chain. Please follow this way to set:

Master-Slave mode(no console)

Host: in the rL--,gL--,bL--,EL--, YL--, UL--,FLAS,FAdE,ASC-,SOUA mode

Slave: DMX address must be set d.001

Console mode:

All fixtures are set to address d.001-d.512

11. DMX Channel

Channel	Value	Function description
dn00 (9 channel mode)		
CH1	0-255	Total dimmer (0-100%)
CH2	0-255	Red dimmer (0-100%)
CH3	0-255	Green dimmer (0-100%)
CH4	0-255	Blue dimmer (0-100%)
CH5	0-255	White dimmer (0-100%)
CH6	0-255	Yellow dimmer (0-100%)
CH7	0-255	Purple dimmer(0-100%)
CH8	0-9	OFF
	10-50	Strobe effect
	51-91	Color fade effect
	92-132	Color jump effect
	133-173	Automatic mode
	174-214	Sound active model
	215-255	Sound active mode2
CH9	0-255	Effect speed &CH7(slow to fast)
dn01 (6channel mode)		
CH1	0-255	Red dimmer (0-100%)
CH2	0-255	Green dimmer (0-100%)
CH3	0-255	Blue dimmer (0-100%)
CH4	0-255	White dimmer (0-100%)
CH5	0-255	Yellow dimmer (0-100%)
CH6	0-255	Purple dimmer(0-100%)

12. Amendment Log

2014-6-20 create the first version V1.0

13. Important Notice

The contents of this manual are subject to change without notice, if in doubt, consult your local hotline.

Copyright: Guangzhou Geliang Lighting Technology Co.,Ltd common to all, to prohibit any unauthorized copying, printing and dissemination.